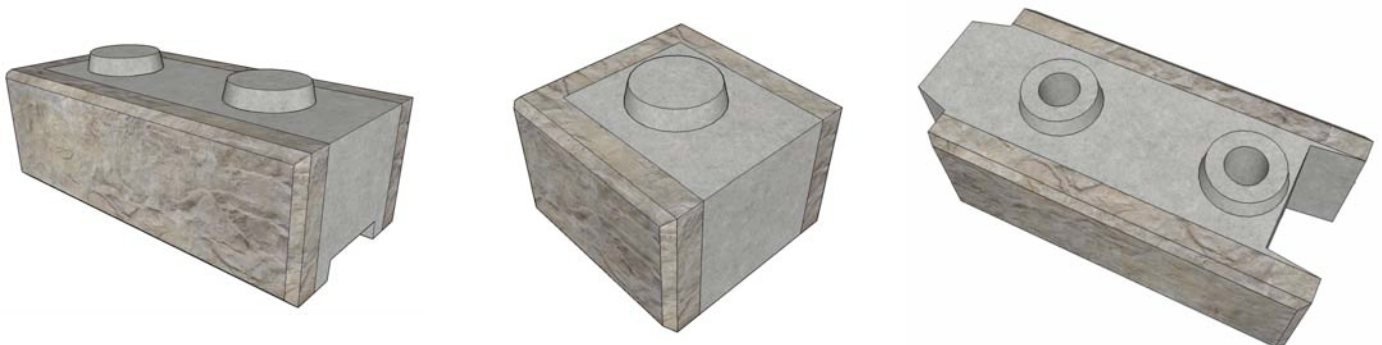



RECON “SERIES 50” FENCE & GUARDRAIL BLOCK CATALOG
January 2012




ReCon Series 50 Fence/Guardrail Block Catalog

Name	Full-High Cap Middle Block	
Unit ID	Weight	Dimensions
FHCAPM	1459	16 in. x 48 in. x 24 in.
Volume		
10.06		
Coverage		
10.66		
Batter		
0°		




Name	Full-High Cap End Block	
Unit ID	Weight	Dimensions
FHCAPE	1450	16 in. x 48 in. x 24 in.
Volume		
10.		
Coverage		
13.33		
Batter		
0°		




Name	Full High Cap Middle Fitting Block	
Unit ID	Weight	Dimensions
FHCMFB	1327	16 in. x 48 in. x 24 in.
Volume		
9.15		
Coverage		
10.66		
Batter		
0°		



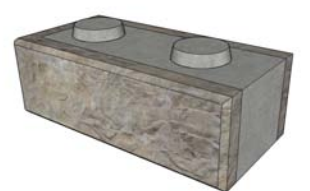
Name	Full Fence Base Block	
Unit ID	Weight	Dimensions
FFB	1547	16 in. x 48 in. x 24 in.
Volume		
10.67		
Coverage		
10.66		
Batter		
0°		



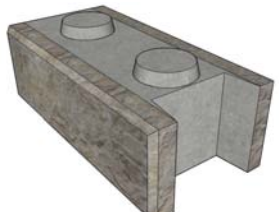
Name	Full Fence Middle Block	
Unit ID	Weight	Dimensions
FFM	1448	16 in. x 48 in. x 24 in.
Volume		
9.99		
Coverage		
10.66		
Batter		
0°		



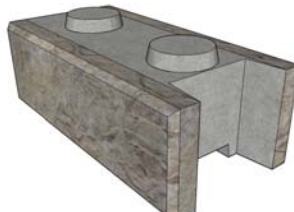
Name	Full Fence Base End Block	
Unit ID	Weight	Dimensions
FFBE	1575	16 in. x 48 in. x 24 in.
Volume		
10.67		
Coverage		
13.33		
Batter		
0°		




Name	Full Fence Base Flat End Block	
Unit ID	Weight	Dimensions
FFBEB	1454	16 in. x 48 in. x 24 in.
Volume		
10.03		
Coverage		
13.33		
Batter		
0°		




Name	Full Fence Middle Flat End Block	
Unit ID	Weight	Dimensions
FFMEB	1454	16 in. x 48 in. x 24 in.
Volume		
10.03		
Coverage		
13.33		
Batter		
0°		




Name	Full Fence Middle End Block	
Unit ID	Weight	Dimensions
FFME	1370	16 in. x 48 in. x 24 in.
Volume		
9.40		
Coverage		
13.33		
Batter		
0°		



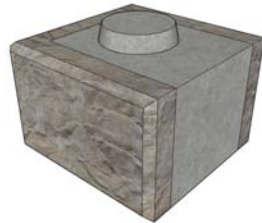
Name	Half Fence Base Block	
Unit ID	Weight	Dimensions
HFB	760	16 in. x 24 in. x 24 in.
Volume		
5.24		
Coverage		
5.33		
Batter		
0°		



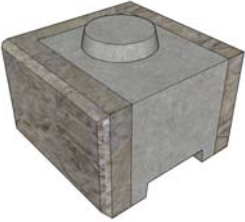
Name	Half Fence Middle Block	
Unit ID	Weight	Dimensions
HFM	710	16 in. x 24 in. x 24 in.
Volume		
4.90		
Coverage		
5.33		
Batter		
0°		




Name	Half Fence Base End Block	
Unit ID	Weight	Dimensions
HFBE	787	16 in. x 24 in. x 24 in.
Volume		
5.43		
Coverage		
8.00		
Batter		
0°		




Name	Half Fence Middle End Block	
Unit ID	Weight	Dimensions
HFME	746	16 in. x 24 in. x 24 in.
Volume		
5.15		
Coverage		
8.00		
Batter		
0°		




Name	Full Guardrail Middle Block	
Unit ID	Weight	Dimensions
FGM	1373	16 in. x 48 in. x 24 in.
Volume		
9.47		
Coverage		
10.66		
Batter		
0°		



Name	Full Guardrail End Block	
Unit ID	Weight	Dimensions
FGE	1400	16 in. x 48 in. x 24 in.
Volume		
9.66		
Coverage		
13.33		
Batter		
0°		



Name	Half Guardrail Middle Block	
Unit ID	Weight	Dimensions
HGM	673	16 in. x 24 in. x 24 in.
Volume		
4.64		
Coverage		
5.33		
Batter		
0°		



Name	Half Guardrail Middle End Block	
Unit ID	Weight	Dimensions
HGME	709	16 in. x 24 in. x 24 in.
Volume		
4.89		
Coverage		
8.00		
Batter		
0°		

